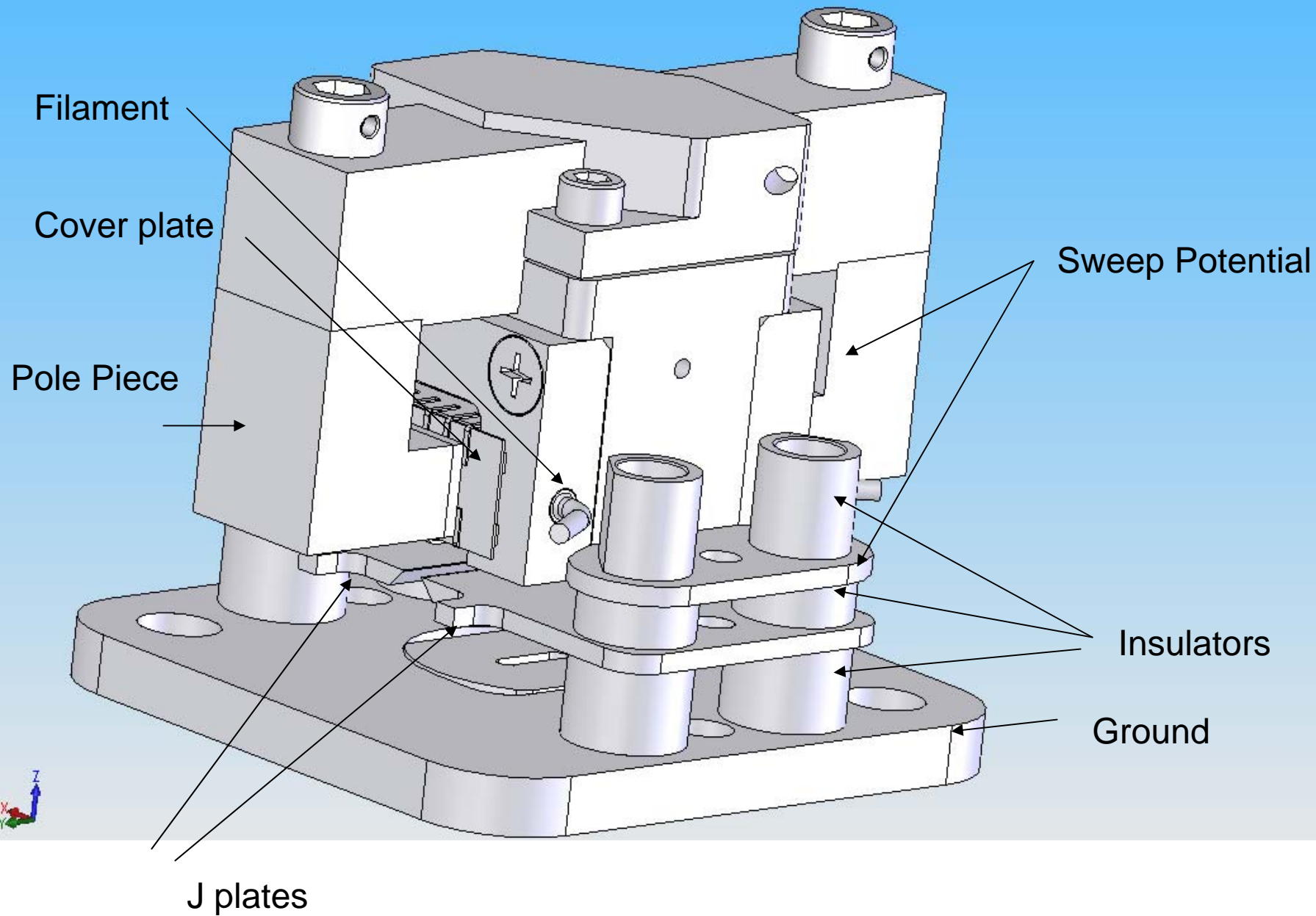
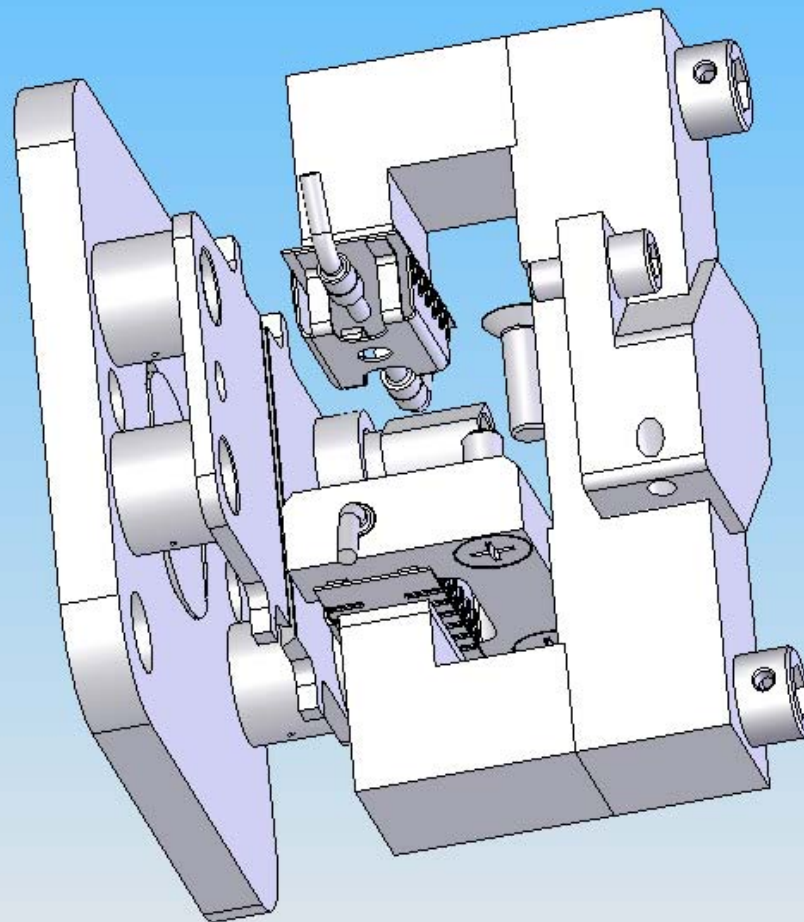
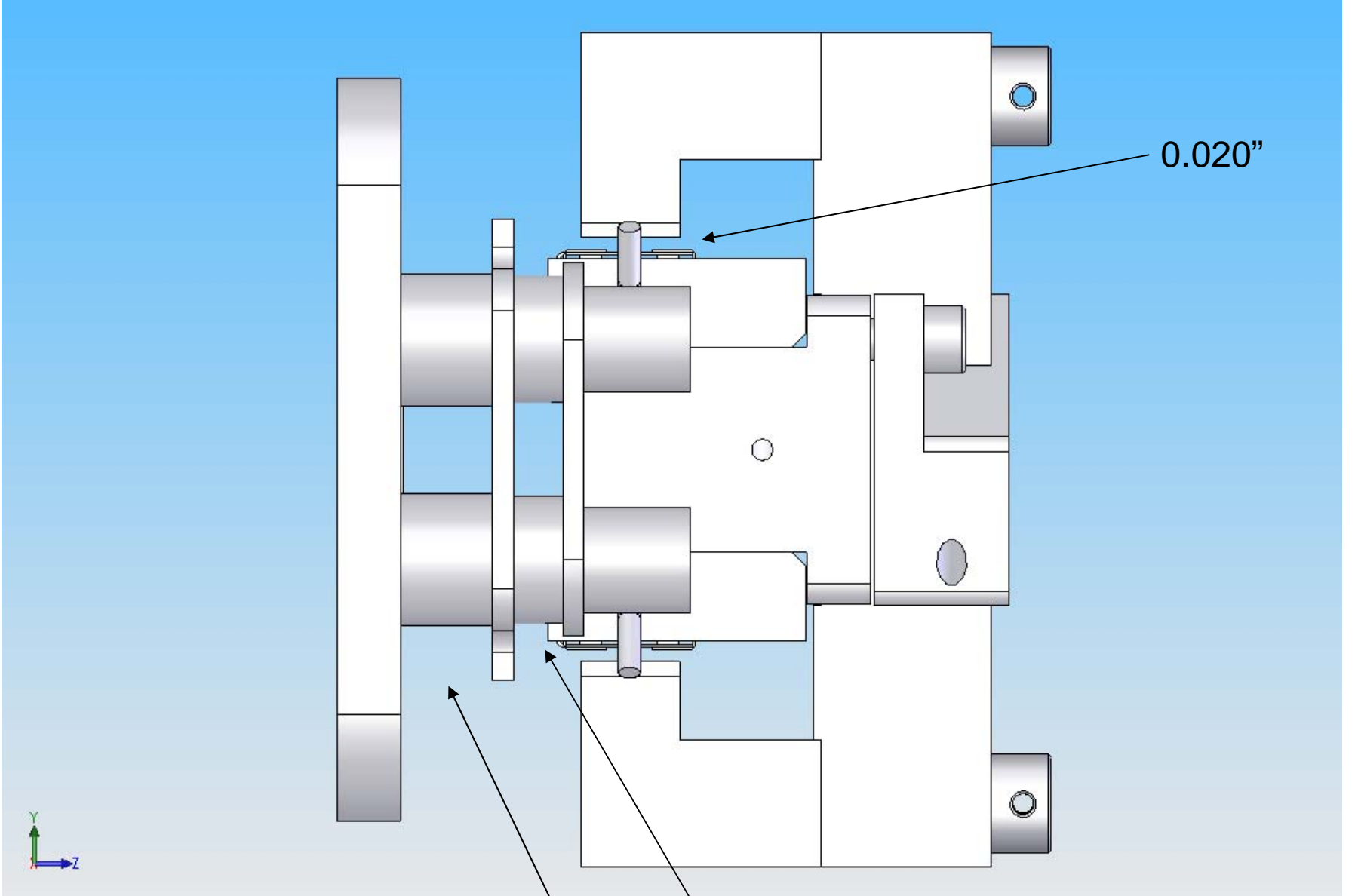


TEGA EGA Ion Source
Chuck Fellows
5/30/08



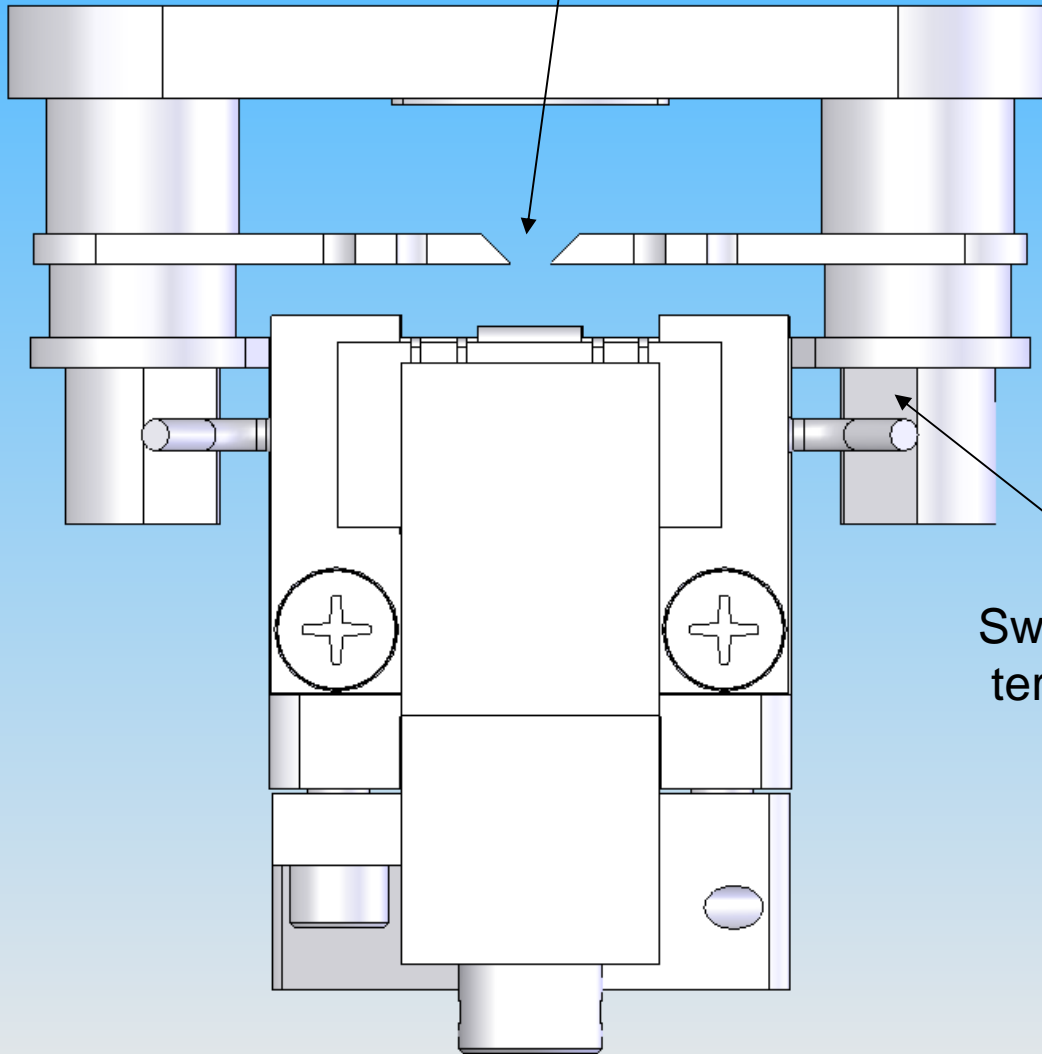


Ions Shield and one filament block removed



Side View

Ja to Jb 0.040"



Sweep to filament terminal 0.048"

